

A U.S. TARGHEE SHEEP ASSOCIATION PUBLICATION

TARGHEE

TALK

Spring 2024

VOL 2 - 2024

CONTENTS

PAGE 2

From My Flock to Yours - Message from
USTSA President, Susie Skinner

PAGE 3

Upcoming Events and Announcements

PAGES 4-6

Does Your Flock Meet Your Performance
Expectations?

PAGES 7-8

NSIP Corner: Genetic Change and Accuracy
Part 2, Dylan Laverell

PAGE 9

From the Shepherd's Mouth featuring Cal and
Julie Ward

PAGE 11 -17

National Show and Sale Information and
Registration Forms

PAGE 18

National Show and Sale Schedule

PAGE 19

Tasty Targhee: Rustic Lamb Pie

BOARD OF DIRECTORS

President

East Director
Susie Skinner
937-375-5671
twins2@hughes.net

Vice President

Montana Director
Dylan Laverell
406-930-0216
laverell.dylan@gmail.com

Central Plains Director

Scott Kilber
605-380-5262
scott.kilber@agtegra.com

Board of Directors

West
Wendell Von Krosigk
307-258-6122
wvonkro@gmail.com

Board of Directors

At Large -West
Jack McRae
406-977-6121
jmcrae@midrivers.com

Secretary/ Treasurer

Jackie McMartin
605-553-3331
ustargheesheep@gmail.com

Promotions and Public Relations Specialist

Julia Selman
435-279-0624
julia.selman@outlook.com

From My Flock to Yours

Message from USTSA President

The old wife's tale is that APRIL SHOWERS WILL BRING MAY FLOWERS. Here we are anticipating a huge bouquet of May flowers, the rain can stop anytime!!! Lambing isn't the only thing happening to USTSA families, congratulations to all the babies, The Raisler's, The Johnson's and The Pederson's (I hope I didn't forget anyone). Congratulations to all.

I am enjoying the new look of the Targhee Talk and all of the news we find in it. I think you will find the entries to Nationals will be much more streamlined this year. We can even use our new online portal to sign up for meals.

I am soooooo proud of all the work that your Board of Directors has accomplished since last July. We have met some of our organization's issues head-on and have hopefully adopted some new policies and procedures that will keep us moving forward in the years to come.

Good Luck as you finish lambing and look forward to seeing you in July.

Susie Skinner



Upcoming Events & Announcements



May 31, 2024: Nationals Forms due

July 4-7: All American Junior Show

June 20-22, 2024: Great Plains Junior Show

July 18-20, 2024: National Targhee Show and Sale

Where: Redfield, SD – Spink County Fair Grounds

Lodging Options for the 2024 USTSA National Show and Sale:

Super 8 Motel – 605 472-0720, Single and Double rooms available I have the entire hotel reserved for our event please tell them you are with the Targhee group when reserving your room.

Edelweiss Inn – Bed & Breakfast, 605 499-8026. They have 5 rooms with a mix of beds, each room has its own bathroom.

R&L Lodge N Inn – 605 460-2158. This is an apartment style lodge. This would be a good spot for a large group or family.

Rustic Haven Inn – 605 460-1252, Apartment style 4 bedroom / 2 bath.

Jim River Ranch – Farmhouse in the country about 8 miles from town. 605 765-8494.

Camping is also an option. There are 20 camper hookups with electricity and water right at the Spink County Fair Grounds.

REMINDER:

Starting June 1, 2024, registering sheep will increase in cost. Ewes will be going up by \$1.00 and rams will be \$10.00.

The Old Red Pocketbook

Written by Julia Selman

From when I was barely old enough to know what a sheep said, I knew that it was vital that I did not touch or color pictures in my dad's little red book. Don't worry, it's very different from a little black book. The worn pages held everything we ever needed to know about our operation. It contained how many sheep got moved on what day, what the docking percentage was, how much depredation we had, and so much more. I feel like we all knew someone with a little red book, and as for me, I wanted to be just like them, until I realized how much work keeping track of all of that was. As we all know, recordkeeping is one of the most vital parts of an operation, yet still falls to the bottom of the priority list. To grow the breed, as well as improve upon the industry, investing time not only in our records but analyzing them will have multiplied benefits. Whether lambing season has come and gone and you're still catching up on sleep or you are in the heat of it now, the following article has some good ideas to implement and measure how our operations are running.

Does Your Flock Meet Your Performance Expectations?

Written by Melanie Barkley, Senior Extension Educator, Livestock at Penn State University

Once lambing is completed, or mostly completed, is a great time to take a closer look at reproduction and performance within a flock. A few minutes calculating reproduction and production measures can impact profitability. This information can also be used to make selection and culling decisions as well as answer the question "Does your flock meet your performance expectations?"

Producers can start with a few key calculations that include, but are not limited to pregnancy rate, lambs born per ewe lambing, lambs born per ewe exposed, percent lamb survival, average weaning weights, and pounds of lamb weaned per exposed ewe. Let's look at each of these and how they impact flock production.

Pregnancy Rate

Pregnancy rate = # of ewes pregnant ÷ number of ewes exposed to a ram X 100.

This calculation looks very simple until you start to think about ewe flock changes throughout the year. Start with the total number of ewes turned out with the rams and then subtract off any ewes culled before lambing and ewes sold before the end of the breeding season. Be sure to add in any bred ewes purchased during the breeding season. The goal is for all ewes exposed to produce lambs, but in reality, those rates may be lower. The American Sheep Industry suggests 100% as the benchmark for small flocks with less than 200 ewes. Medium size flocks of 201 to 750 ewes should have a benchmark of 98% and larger flocks, particularly range flocks, should have a benchmark of 96%. If your flock produces lower pregnancy rates, determine how you might improve the rate. Ask yourself some questions. What was the health status of the rams and the ewe flock around breeding season? Did disease or nutrition perhaps impact the flock at some point prior to, during, or shortly after the breeding season? Are there other reasons why the ewes may not have become pregnant? An additional consideration related to pregnancy rate would be the percent of ewes who lambed within the first or second heat cycle.

Lambing Rate

Lambing rate varies among flocks and often depends on available feed resources. Not all operations have adequate feed resources to support twins. Lambing rate can be calculated in two ways: lambs born per ewe lambing and lambs born per ewe exposed.

$$\text{Percentage of lambs born per ewe lambing} = \# \text{ lambs born} \div \# \text{ ewes lambing} \times 100.$$

Lambing rate varies among flocks and often depends on available feed resources. Not all operations have adequate feed resources to support twins. Lambing rate can be calculated in two ways: lambs born per ewe lambing and lambs born per ewe exposed.

$$\text{Percentage of lambs born per ewe lambing} = \# \text{ lambs born} \div \# \text{ ewes lambing} \times 100.$$

This equation determines prolificacy in the flock, while this second equation is a more accurate method for looking at the lambing percentage.

$$\text{Percentage of lambs born per ewe exposed} = \# \text{ lambs born} \div \# \text{ ewes exposed} \times 100.$$

The national average for lambing rate is around 110% and is one of the industry goals to increase. American Sheep Industry suggests the following benchmarks for lambing percentages in the table 1 below:

	Mature Ewes %	Ewe Lambs %
Small Flocks (Less than 200 ewes)	240	160
Medium Flocks (201-750 ewes)	210	140
Large Flocks (More than 750 ewes or ewes on range conditions)	180	120

Lamb Survival

Lamb survival indicates the percent of lambs that survive the first month after birth. Death losses are inevitable in any livestock operation, but all livestock producers should strive to minimize these losses.

Percent of lambs surviving to one month of age = number of lambs alive at one month ÷ number of lambs born X 100.

A good goal for any size operation is that 95% of lambs to survive the first month of life. This calculation is particularly important because most lamb deaths occur within the first few days of life. Producers with lower percentages should explore why this is happening and pay particular attention to late gestation nutrition, milk production, mothering ability and lamb vigor.

Weaning Weights and Pounds of Lamb Weaned Per Ewe

Weaning weights allow producers to evaluate both lambs and ewes. Producers can make selection as well as culling decisions using these weights. Because large differences occur due to sex of the lamb, ewe age, birth type, and rearing type, weaning weights should be adjusted to account for these factors. Refer to the Sheep Production Handbook published by the American Sheep Industry for further information on how to adjust weaning weights.

While adjusted weaning weights can be very useful, and have traditionally been a production focus, a better option would be to evaluate pounds of lamb produced per ewe. The total pounds of lamb available for sale has a greater impact on profitability than average weaning weight of individual lambs.

Pounds of lamb weaned per ewe = total pounds of lambs weaned ÷ # of ewes exposed.

Overall Flock Performance

All producers should strive to optimize flock production. The more ewes that conceive in the first two heat cycles, the more likely those lambs will be heavier and more uniform in size as compared to lambs born later in the lambing season. Higher lambing percentages lead to more lambs to sell and even more importantly, more pounds of lamb to sell. All these aspects play a part in an operation's profitability. So, each producer should ask questions such as these. How does your flock perform related to the American Sheep Industry's suggestions? How can you make changes to improve flock production? Also, keep in mind that a great way to evaluate breeding stock is through the use of estimated breeding values from the National Sheep Improvement Program. Does your flock perform according to your expectations, or are there areas where your flock needs improvement?

Reference

Barkley, Melanie. Does Your Flock Meet Your Performance Expectations? extension.psu.edu/does-your-flock-meet-your-performance-expectations.

NSIP Corner: Genetic Change and Accuracy: Part 2

Written by Dylan Laverell, Targhee Breed Representative for NSIP

This spring has been pleasant in terms of the weather. The sunny days with periodic moisture have been well received for many breeders who are in the swing of lambing. With lambs hitting the ground, I think it is quite timely to consider the rest of the equation that we measure genetic change, aka the Key Equation.

Recall from the last Targhee Talk the Key Equation:

$$\Delta_{BV/t} = \frac{r_{BV, \hat{BV}} i \sigma_{BV}}{L}$$

Where: $\Delta_{BV/t}$ = rate of genetic change per unit of time

$r_{BV, \hat{BV}}$ = accuracy

i = selection intensity

σ_{BV} = genetic variation

L = generation interval

In January, we discussed what heritability and accuracy is and how different traits are going to influence how fast we can make genetic progress in our flock. For example, breeders can make quicker progress on traits like staple length and loin eye area, and slower progress on reproductive traits like number of lambs born. While accuracy and heritability are important, there are other factors that can affect genetic progress, like selection intensity.

Selection intensity is how “choosy” we are about certain traits. In theory, if increasing the intensity on a certain trait occurs for multiple generations, we would expect that each subsequent generation to be superior to the last. This can be effective, especially for wool traits like micron, however it can be problematic at the same time. Increasing selection intensity for one trait sounds like single trait selection, and we know that there are traits that do not work in our favor if we do single trait select. For example, if we only focus on decreasing micron, we may be unknowingly selecting for shorter staples and lighter fleeces.

Calculating the selection intensity value can be quite cumbersome and requires knowledge on the variation of the trait within the flock. However, I think the more applicable way is through truncation selection, which is defined as selection based on a distinct division of the group where there is a threshold that is established, and selection is one side and rejection on the other (Bourdon, 2000).

Figure 1 shows a distribution of fleece weights observed in a fictional flock. If we set our threshold at the 50th percentile (8.2 pounds) we would cull or not keep animals who sheared a fleece lighter than 8.2 pounds. Therefore, our proportion saved would be 50% and the selection

intensity (i) would be 0.80. If we set our threshold at the 75th percentile (9.8 pounds, culling animals below 9.8 pounds), our proportion saved would be 25%, and the selection intensity would be 1.28. Finally, if the threshold was set at the 90th percentile (11.1 pounds, culling animals below 11.1 pounds), the proportion saved would be 10% and selection intensity would be 1.78. The selection intensity increases as our threshold increases. This is due to rejecting a higher number of animals as replacements each time. Table 1 shows the selection intensity by the proportion saved.

In your operation, what traits would you like to improve and how intensively are you selecting for them? Stay tuned for next edition of NSIP Corner as I will dissect another variable that drives genetic change.

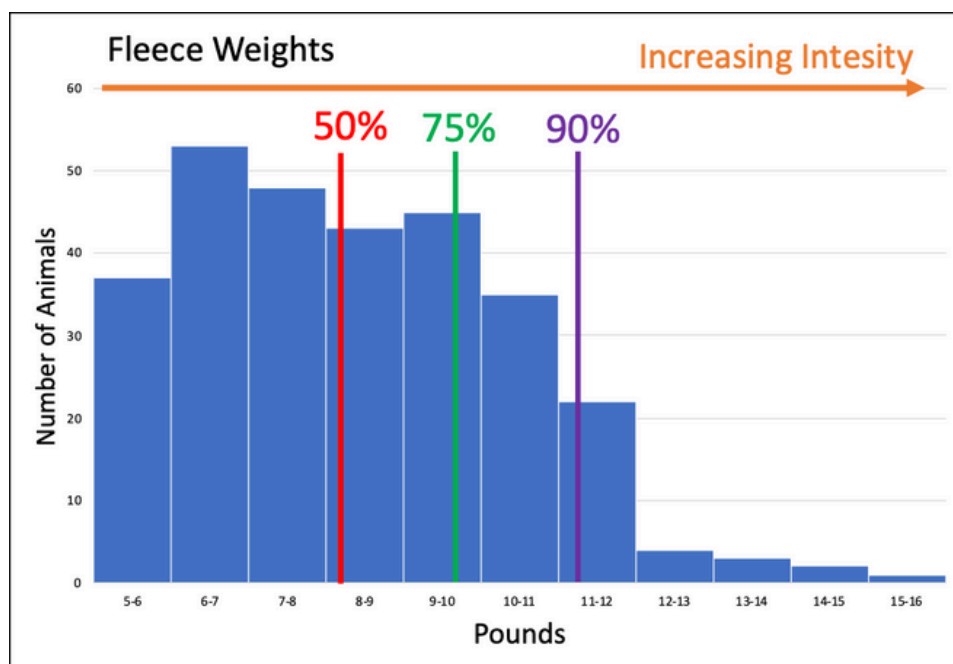


Table 1. Selection intensity (i) expected from truncation selection

Proportion Saved	Selection Intensity
5%	2.06
10%	1.76
25%	1.28
50%	0.80
75%	0.43
100%	0.00

*Adapted from Bourdon (2000).

From the Shepherd's Mouth

Written by Julia Selman



In the heart of Ruby Valley, you can find a ranch where the grass grows as lush and green as its name, Clover Meadows Ranch. It is currently owned by Cal and Julie Ward. They currently run both black Angus cattle and registered Targhee sheep. From my interactions with this couple, they are some of the most enthusiastic and joyful people to be around. They truly are an ambassador to the breed and to the agriculture industry as a whole.

Back in 2006, they purchased this ranch and found their own paradise to call home. In the coming years after much research, they selected to raise Targhee sheep and have been with us ever since. Their herd consists on 50-60 registered breeding ewes and actively participate in NISP. They locally sell their lamb in addition to to selling around 20 yearling rams and 10 yearling ewes across various sales and private treaty. We are extremely thrilled to see the livestock they bring to the USTSA National Sale and Show come July.

Come this time of year, between calving and lambing, the Wards work like a good team of horses. They don't stop until the work is done, and deeply care for the land and the livestock. More than a deep rooted passion for what they do, they truly love the breed. They are active members of the association, and we appreciate all they do for us. In the words of Julie, she stated, "This is the lifestyle we have chosen and although it is hard work and sometimes discouraging, the intrinsic rewards are worth it." Her words ring true to all of us, and help us remember that the lifestyle we live is worth all sacrifice we make.

Be sure to check out their operation at clovermeadowsmt.org

USTSA Board of Directors Minutes

January 14th, 2024 @ 6:30 p.m.

The meeting was called to order at 6:35 p.m. by President/East Director Susie Skinner.

All Directors Were Present

- Approval of Minutes
 - The minutes were emailed to the board of directors. The minutes were approved with amended corrections.
- Approval of Financials
 - Jackie emailed bank statements and invoices ahead of time. Financials were approved as emailed,
- Old Business
 - Starter Flock Form as well as prep for the National Shows was discussed, including ordering of supplies and discussing the registration form.
 - Other items discussed were metal ear tags, over age sheep, and old bank records. Each was provided an update and was passed through the board.
- New Business
 - In summary, the board approved a new hard drive to maintain records for the industry, an update from Julia on the new website, sponsorship for the All American Show, and points to discuss with Jeff Ebert.

The meeting was adjourned at 8:34 p.m. CST motion was made by Scott and seconded by Dylan. Motion passed.

March 19, 2024 @ 6:30 p.m.

The meeting was called to order at 6:35 p.m. by President/East Director Susie Skinner.

All Directors Were Present

- Approval of Minutes
 - The minutes were emailed to the board of directors. The minutes were approved with amended corrections.
- Approval of Financials
 - Jackie emailed bank statements and invoices ahead of time. Financials were approved as emailed,
- Old Business
 - Previous points were briefly discussed including a website update, completion of moving files to an external drive, tabling a probationary period for unregistered sheep, and reviewing the meeting with Jeff Ebert. We were able to come to conclusions to help the association work more in sync with Associated Registry.
- New Business
 - In summary, the board approved and discussed updating the rules and catalog for the National Show and Sale, reviewing rules, and other National Show preparation.

The meeting was adjourned at 8:12 p.m. CST motion was made by Scott and seconded by Jackie. Motion passed.

Next meeting for the Board of Directors will be May 13, 2024.

2024 USTSA National Show and Sale

Time has flown and we are getting ready to head to Redfield, South Dakota here shortly. We are so excited to all be together. This year, we are going to be implementing a new registration process. We will have the paper version available, but for the open show, registration will also be **available online through our website at targheesheepus.com**. Junior registration will be attached in the following pages as well as a printable version on the website.

The following links below will give you access to the online versions of the forms in addition to printable paper copies.

Registration is due May 31, 2024.

*Beginning this year, all yearling rams and ewes must have a side micron test taken and submitted for evaluation by a third party after **May 1st of 2024** in order to show or sell.



Open Class
Online
Registration



Printable
Registration forms
for Open and Junior
Classes



2024 USTSA National Show and Sale Consignment Form

Entry Deadline: May 31, 2024

General Entry Information

Farm/Ranch Name: _____

Breeder Name: _____

Address: _____

City, State, Zip: _____

Email: _____

Phone Number: _____ Member Number: _____

Open Show Classes

Please check boxes for participating classes

Ram Classes

- Yearling (9/1/22 - 8/31/23)
- Fall Lamb (9/1/23 - 12/31/23)
- Winter Lamb (1/1/24-1/31/24)
- Spring Lamb (2/1/24 and younger)
- NSIP Yearling Ram

Ewe Classes

- Yearling (9/1/22 - 8/31/23)
- Fall Lamb (9/1/23 - 12/31/23)
- Winter Lamb (1/1/24-1/31/24)
- Spring Lamb (2/1/24 and younger)
- NSIP Yearling Ewe
- Pen of 2 - Yearling Ewes
- Pen of 2 - Ewe Lambs (can be fall, winter, or spring born)

- Pair of Ewes - winning bidder has choice
- A total of two rams per class may be entered. Consignors may enter one ram without entering ewes. Consignors must enter two additional ewes for each additional ram entry with a maximum of 4 rams per membership. There is no limit on the amount of ewes entered. The sale committee, however, reserves the right to limit the number of sheep consigned should total entries exceed show and sale expectations.

Entry Cost

Class	Cost per animal	Total
Targhee Wool Show Entry (2 fleece per class limit)	x \$5 =	
Yearling Ram, NSIP Yearling Ram, and Fall, Winter, and Spring Ram Lambs	x \$35 =	
Yearling Ewe, NSIP Yearling Ewe, Fall, Winter, and Spring Ewe Lambs	x \$25 =	
Pen of Ewes: Yearling and/or Ewe Lambs	x \$45 =	

Total: _____

View the entry brochure to view a the list of rules and more USTSA Show and Sale information. Payment must be made at check in or can be paid online through the online registration form.

If you have any questions, please reach out to Jackie at 605-553-3331 or through ustargheesheep@gmail.com or to Julia at 435-279-0624 or julia.selman@outlook.com.

In addition, if there are photos you would like included in the catalog, please send them to julia.selman@outlook.com.

Please mail entry form and payment to :
U.S. Targhee Sheep Association
105 S. Eastern Ave.
Hartford, SD 57033

Make checks payable to: US Targhee Sheep Association

Electronic Copies please send to: ustargheesheep@gmail.com and to julia.selman@outlook.com

Entry Registration Form

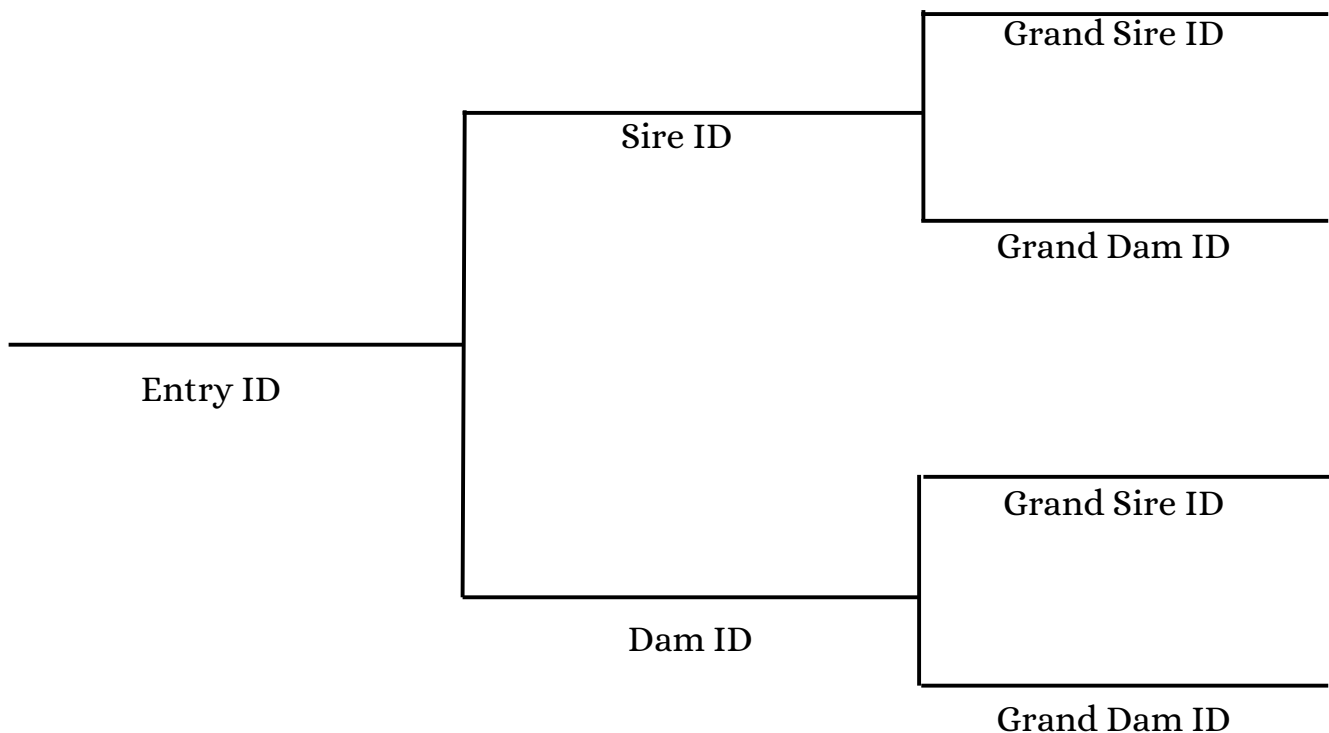
Please fill out the following information for each entry. The pedigree format is what will be printed in the in the sale catalog. You can pick between either the 3 or 5 generation format. Please include any EBV information that applies.

Class: _____ Sex: _____

Registration ID: _____ Date of Birth: _____

Flock ID Number: _____ Birth Type: _____

16 Digit NSIP Number: _____

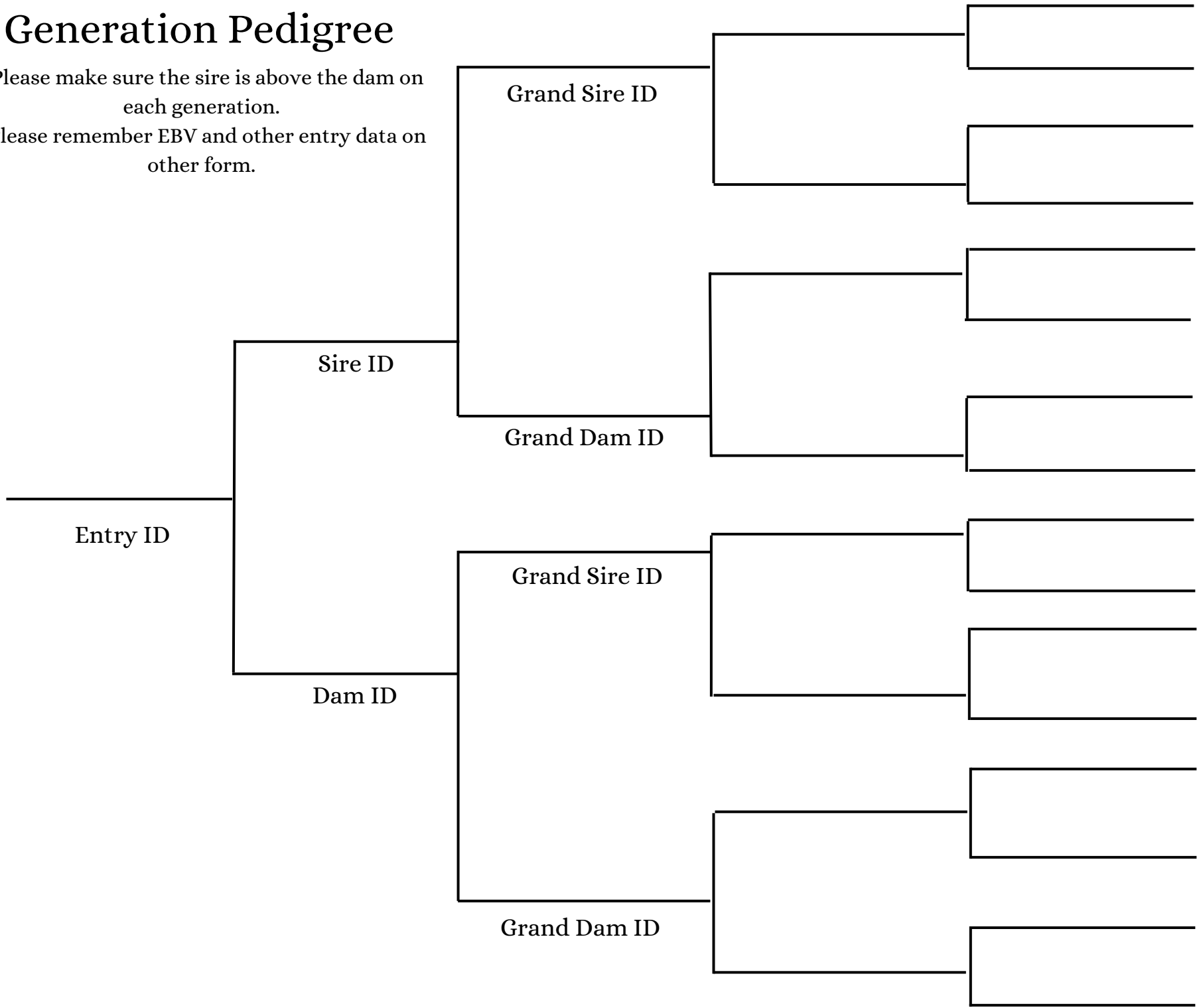


Birth Type	Scrapie Genotype	Micron	PEMD	PFAT	NLB.	Maternal Milk WT
EMD	Growth		Wool			Range Index
	PWWT	YWT	YFW	YFD	YSL	

*For comments, description, or pictures for the catalog, please write on the back of one of these papers or attach via document or email.

5 Generation Pedigree

*Please make sure the sire is above the dam on each generation.
*Please remember EBV and other entry data on other form.



2024 U.S. Targhee Sheep Association Junior Show Sign-Up

All Forms are due May 31st, 2024

For registration we only need to know how many head you are bringing and which heads are being sold in the National Show and Sale.

At check-in we will need: Registration Papers that show the following: DOB, Scrapie Number, Flock Number & Registration Number. A CVI with a negative Brucella ovis test for rams over six (6) months of age & proof of lice treatment 10 but not more than 30 days prior to junior show.

Name: _____ Age as of January 1: _____ T-Shirt size: _____

Address: _____

Parent/Guardian Signature, if under 18, as of January 1: _____

Classes

Junior members will only be allowed one lot per class

Ram:

- Yearling (9/1/2022 - 8/31/2023)
- Fall (9/1/2023 - 12/31/2023)
- January
- February
- March

Ewe:

- Futurity
- Born/Raised Yearling (9/1/2022 - 8/31/2023)
- Fall (9/1/2023 - 12/31/2023)
- January
- February
- March

- Costume Contest

- Showmanship

Class Name

Check if in National Show & Sale

Class Name	Check if in National Show & Sale

Mail to: Logan Johnson 39880 214TH St. Huron, SD 57350 Email to:loganjo2010@hotmail.com

2024 T-Shirt order form

Name	T-Shirt \$22	Long sleeve \$25	Crew \$30	Hoodies \$40

Total_____

Mail to:

Logan Johnson
39880 214TH street
Huron, SD 57350

Email to:

Loganjo2010@hotmail.com

Make checks to USJTSA



2024 USTSA National Show and Sale Schedule

Wednesday July 17th – Pens Available

Thursday July 18th –

8:30 am National Junior Show

- Yearling Ram
- Fall Ram Lamb
- January Ram Lamb
- February Ram Lamb
- March Ram Lamb (Need to verify the March class)
- Futurity Yearling Ewe
- Yearling Ewe
- Fall Ewe Lamb
- January Ewe Lamb
- February Ewe Lamb
- March Ewe Lamb (Need to verify the March class)
- Best Fleece on live animal

Showmanship

- Pee Wee
- Junior
- Intermediate
- Senior

Junior Activity – Fitting Contest

Noon Lunch

1 p.m. Wool and Photo Contest entries are due

2 p.m. Open Show Sifting begins – All Open show sheep need to be checked in with all required paperwork and entry fees completed.

4 p.m. Junior Targhee Association Annual Meeting

6 p.m. Picnic at Spink Co. 4-H Building

Slip N Slide Kickball after the Picnic

8:30 p.m. USTSA Board of Directors Meeting

Friday July 19th

8:30 a.m. Junior Futurity Yearling Ewe Show

9:00 a.m. National Open Show

- NSIP Yearling Ram
- Yearling Ram
- Fall Ram Lamb
- January Ram Lamb
- February Ram Lamb
- NSIP Yearling Ewe
- Yearling Ewe
- Fall Ewe Lamb
- January Ewe Lamb
- February Ewe Lamb
- Pair of Yearling Ewes
- Pair of Ewe Lambs (Fall or Spring)

1 p.m. National Wool Show Judging

2 p.m. Educational Opportunity (To be Determined)

2:30 p.m. USTSA Annual Association Meeting

6 p.m. Social Hour Spink Co. 4-H Building

7 p.m. Awards Banquet

8 p.m. Showring Party

Saturday July 20th

10 a.m. National Sale (Rams followed by Ewes)

TASTY TARGHEE

Rustic Lamb Pie

Taken from The Modern Proper

Ingredients

- 2 lbs American Lamb, ground
- 2 tbsp olive oil
- 2 celery ribs, finely diced
- 2 carrots, finely diced
- 3 cups leeks, cut into thin rings
(4 small leeks or sub out for 1 large onion)
- 4 cloves garlic, minced
- 3 russet potatoes, peeled and diced into ½" pieces
- 3 cups beef stock
- 1 cup peas
- 1 tbsp curry powder
- 2 tsp salt
- ½ cup water
- ¼ cup corn starch
- 1 sheet puff pastry
- 1 egg, whisked

1. Heat oven to 400°F.
2. In a large cast iron skillet heat 1 tablespoon olive oil over medium heat.
3. Add ground lamb to the skillet and cook until browned, breaking it up with a wood spoon as it cooks, about 6 minutes. Remove from skillet and set aside.
4. Using the same skillet heat remaining olive oil. Add in celery, carrots and leeks. Cook until vegetables start to soften, stirring often. Add in garlic and continue cooking for 1 more minute. Add cooked lamb, potatoes, beef stock, curry and salt and stir until all ingredients are combine.
5. Bring mixture to a simmer and cook until potatoes are tender. Add in peas and cook for another minute.
6. In a small bowl whisk together cornstarch and water until a murky liquid is achieved. This is your slurry. Add it to the prepared lamb mixture and stir over medium low heat until everything thickens. About 5 minutes. Remove from heat.
7. On a well flowered cutting board roll out puff pastry until it's large enough to cover the skillet. Set pastry over the skillet pressing it down on edges. Give the pastry 3 or 4 slits in the top with a sharp knife. Using a pastry brush, brush the top of the pastry with the egg.
8. Set prepared pie on a large rimmed baking sheet and place in center of the oven. Bake for 20 minutes, or until pastry is golden brown. Serve warm.





U.S. Targhee Sheep Association
105 S. Eastern Ave.
Hartford, SD 57033
605-553-3331

Stay current with us using www.targheesheepus.org
and follow us on Facebook @ US Targhee Sheep Association